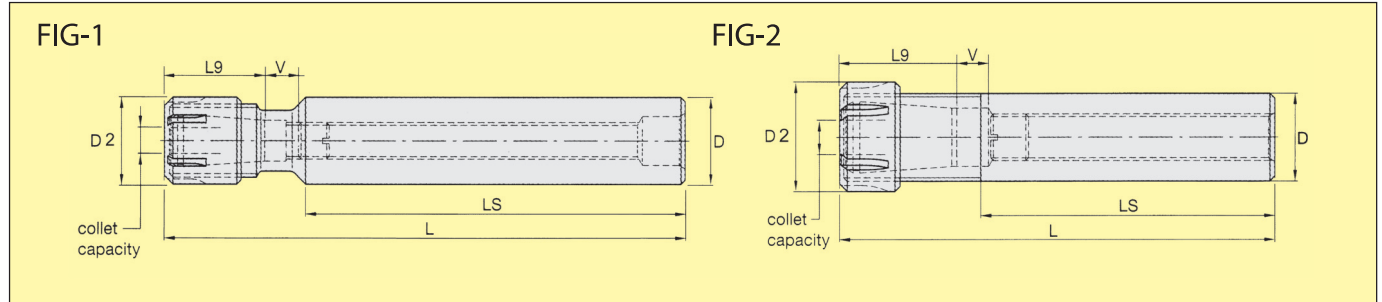


ER Collets Chucks On Straight Shank - Inch

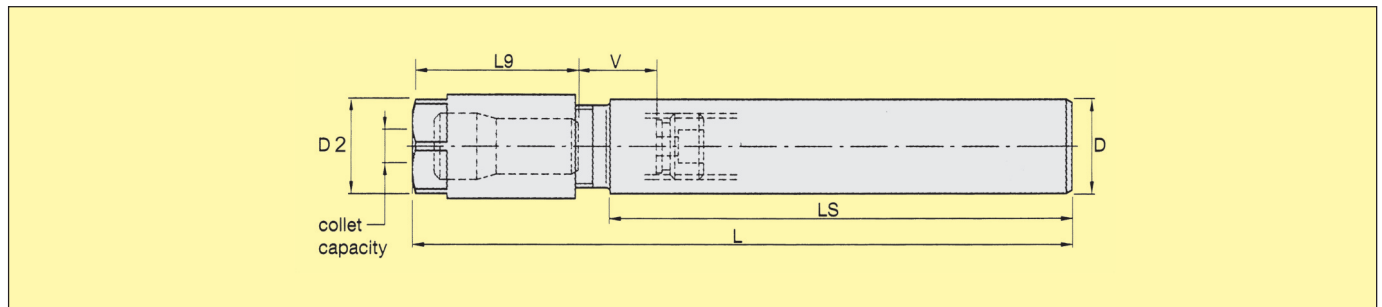


- Through the tool holder coolant capability
- Order Example – SS050ER11700

ER-SS – Inch

Catalogue No.	Collet Series	Collet Cap Min.-Max.	Fig	D	D2	L	LS	L9	V	Wt. Lbs	Locknut	Wrench	Stop Screw
SS050ER11700	11ER	0.020-0.276	1	0.50	0.63	7.00	5.51	1.27	5.04	0.40	LNER11M	ER11WEM	BSS031031G
SS075ER16700	16ER	0.020-0.406	1	0.75	0.87	7.00	5.51	1.24	2.30	0.90	LNER16M	ER16WEM	BSS044038G
SS100ER20700	20ER	0.020-0.512	2	1.00	1.38	7.00	5.51	1.42	4.89	1.60	LNHER20M	OEW30M	BSS056041G
SS100ER25750	25ER	0.040-0.630	2	1.00	1.65	7.50	5.69	1.57	5.24	1.70	LNHER25M	ER25WEM	BSS075041G

DA Collet Chucks On Straight Shank - Inch



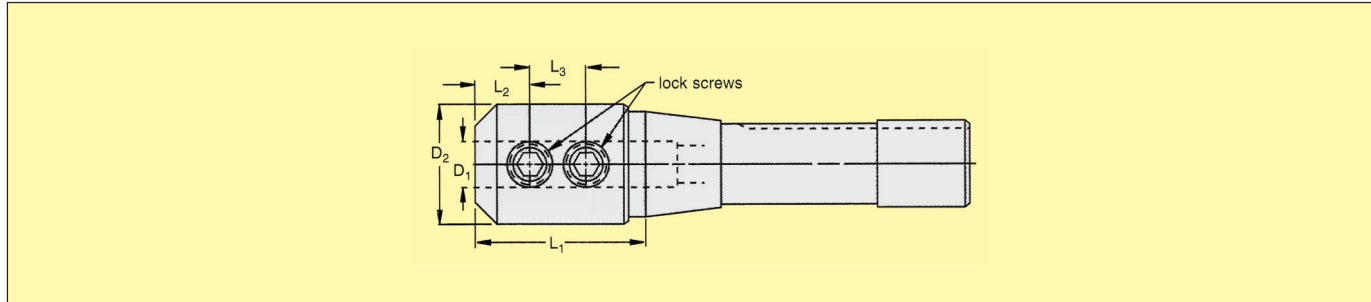
- Through the tool holder coolant capability, Small outside diameter is ideal for use with machining centers & solving close center distance & fixture clearance problems.
- Order Example – SS050DA304681

DA Style 04-SS - Inch

Catalogue No.	Collet Series	Collet Cap Min.-Max.	D	D2	L	LS	L9	V	Wt. Lbs	Locknut	Wrench	Stop Screw
SS050DA304681	300DA	1/64-1/4	0.50	0.56	6.81	5.42	1.50	2.75	0.37	LNA304M	OEW050	BSS031031G
SS075DA204712	200DA	1/64-25/64	0.75	0.84	7.12	5.50	1.56	3.19	0.89	LNA204M	OEW075	BSS044038G
SS100DA104731	100DA	1/64-9/16	1.00	1.06	7.31	5.40	1.94	4.68	1.62	LNA104M	OEW094	BSS062041G
SS125DA184738	180DA	1/64-3/4	1.25	1.44	7.38	5.41	1.88	4.74	2.56	LNA184M	OEW119	BSS081041G



R8-Shank End Mill Adapters



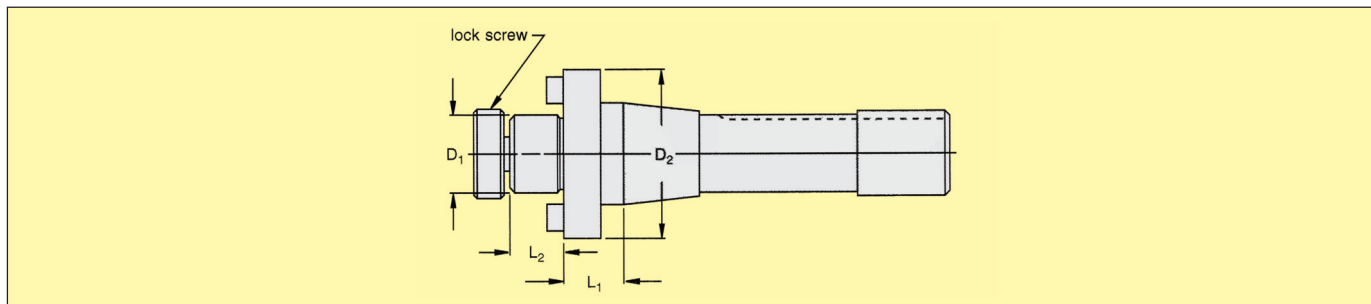
Order Example-R8EM018112

- Supplied with Lock Screws
- Knurled nose for added safety

Catalogue No.	Tool Capacity D1	Body Diameter D2	Projection Length L1	L2	L3	Lock Screw	Weight in Lbs.
R8EM018112	3/16"	0.94"	1.12"	0.406"		1/4-28 UNF	0.9
R8EM038100	3/8"	1.25"	1.00"	0.719"		3/8-24 UNF	1.1
R8EM050112	1/2"	1.25"	1.12"	0.875"		7/16-20 UNF	1.2
R8EM062150	5/8"	1.58"	1.50"	0.875"		1/2-20 UNF	2.1
R8EM075262	3/4"	1.72"	2.62"	1.109"		5/8-18 UNF	4.0
R8EM088306	7/8"	1.94"	3.06"	1.063"	0.828"	3/4-16 UNF	5.2
R8EM100306	1"	1.94"	3.06"	1.109"	0.953"	3/4-16 UNF	5.2
R8EM125306	1 1/4"	2.38"	3.06"	1.109"	0.953"	3/4-16UNF	6.4



R8-Shank Shell Mill Adapters



Order Example-R8EM018112

- Supplied with Lock Screw & Drive Key

Shell Mill Adapters - Inch

Catalogue No.	Pilot Capacity D1	Projection Diameter D2	Projection Length L1	Pilot Length L2	Lock Screw	Weight in Lbs
R8SM050102	1/2"	1.28"	1.02"	0.562"	KLS05	1.4"
R8SM075102	3/4"	1.62"	1.02"	1.671"	KLS07	1.8"
R8SM100102	1.00"	1.97"	1.02"	0.671"	KLS10	2.3"
R8SM125102	1.25"	2.50"	1.02"	0.671"	KLS12	3.0"
R8SM150175	1.50"	2.95"	1.75"	0.938"	KLS15	5.8"